



Guiding the Way

BKON™ Extension Bracket

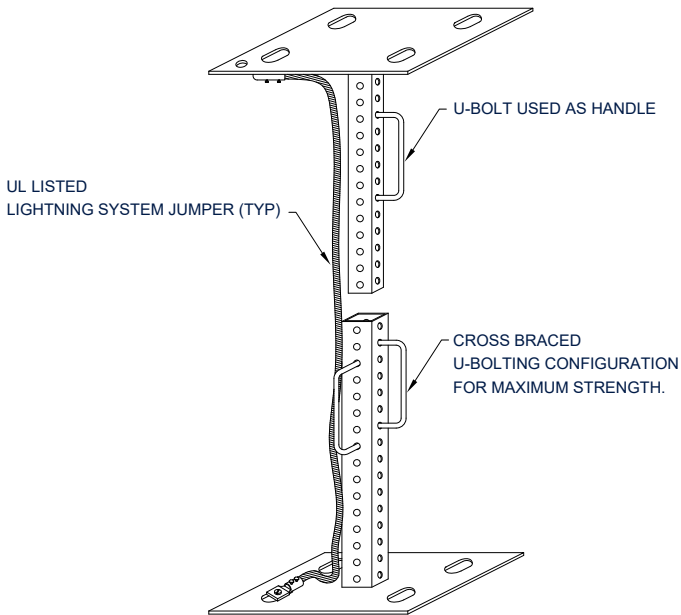
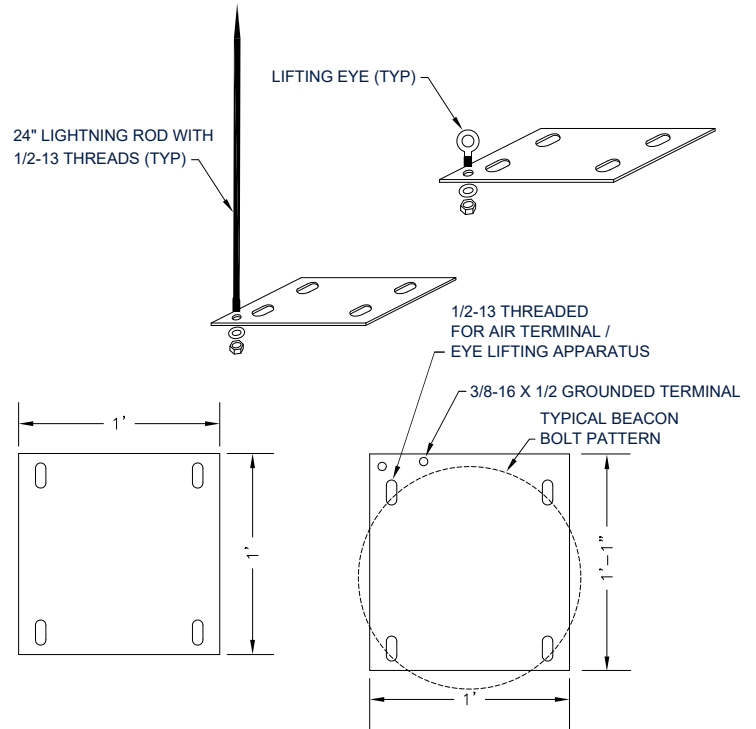
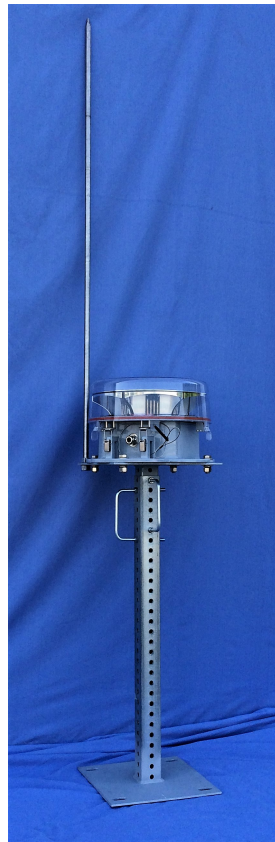
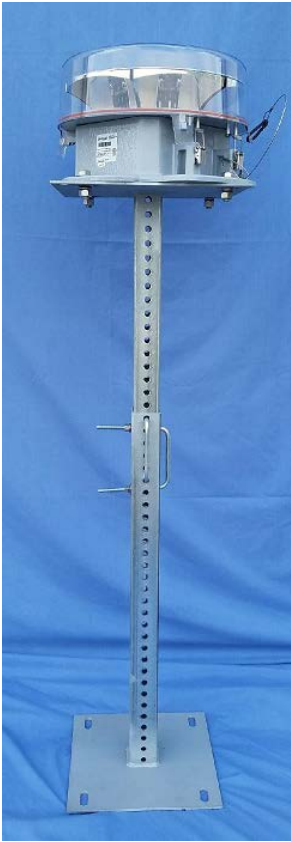
Your Nesting Solution

Application:

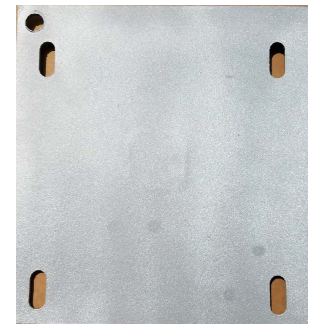
The BKON extension bracket primary use is add extra high to the beacons that have been blocked by antennas. This is a simple to get the beacons out where they can be visible and keep your towers safe.

This bracket uses two "U" Bolts that cross lock to keep it set at its designated high and provide a safe way to grab the bracket. It has a range of 31"-53." It is not supposed to go any higher than were it is painted RED.

UL Listed / NFPA compliance jumper required to meet standard.



Attaches to existing incandescent base



Flip top design for simple installation

PART NUMBER	DESCRIPTION	WEIGHT
FCT-06213	FCT Bracket Extension-1 Height Range 31"-53"	28 lbs
FCT-06214	FCT Bracket Extension-2 Height Range 43"-77"	33 lbs
FCT-06510	Lightning Protection Kit	N/A
FCT-06515	Lifting Eye Kit	N/A

* Hardware Included: 8 pcs 1/2 x 1-1/2" Stainless Steel Assembly
2 pcs 3/8 Stainless Steel U-Bolt Assembly